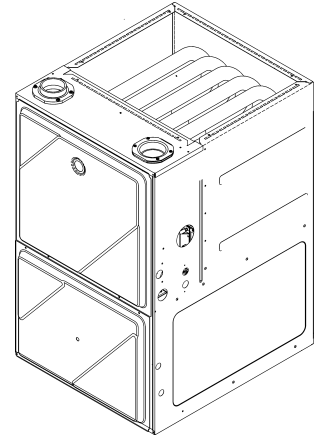


---

**GM9S 92% FER Up Flow Furnace**

GM9S920403ANAA  
GM9S920403ANAB  
GM9S920603BNAA  
GM9S920603BNAB  
GM9S920803BNAA  
GM9S920803BNAB  
GM9S920804CNAA  
GM9S920804CNAB  
GM9S920805CNAA  
GM9S920805CNAB  
GM9S921004CNAA  
GM9S921004CNAB  
GM9S921005CNAA  
GM9S921005CNAB  
GM9S921205DNAA  
GM9S921205DNAB



This manual is to be used by qualified technicians only.

This manual replaces RP-G2347

© 2021 , 2023 Goodman Manufacturing Company, L.P. ♦ 19001 Kermier Rd. ♦ Waller, TX 77484

# Important Information

---

## Index

Functional Parts List .....	3
Illustration and Parts .....	4 - 11

*Views shown are for parts illustrations only, not servicing procedures.*

### Text Codes:

AR - As Required

NA - Not Available

NS - Not Shown

00000000 - See Note

QTY - Quantity Example (QTY 3) (If Quantity not shown, Quantity = 1)

M - Model Example (M1) (If M Code not shown, then part is used on all Models)

### Expanded Model Nomenclature:

Example M1 - Model#1 M2 - Model#2 M3 - Model#3
---

Goodman Manufacturing Company, L.P. is not responsible for personal injury or property damage resulting from improper service. Review all service information before beginning repairs.

Warranty service must be performed by an authorized technician, using authorized factory parts. If service is required after the warranty expires, Goodman Manufacturing Company, L.P. also recommends contacting an authorized technician and using authorized factory parts.

Goodman Manufacturing Company, L.P. reserves the right to discontinue, or change at any time, specifications or designs without notice or without incurring obligations.

For assistance within the U.S.A. contact:  
Homeowner Support  
Goodman Manufacturing Company, L.P.  
19001 Kermier Road  
Waller, Texas 77484  
877-254-4729-Telephone  
713-863-2382-Facsimile

For assistance outside the U.S.A. contact:  
International Division  
Goodman Manufacturing Company, L.P.  
19001 Kermier Road  
Waller, Texas 77484  
713-861-2500-Telephone  
713-863-2382-Facsimile

# Functional Parts

## Part

## No: Description:

PCBBF166	1 STAGE IFC (M2, M4, M6, M8, M10, M12, M14, M16)
0257F00449	ASSY, HEAT EXCHANGER (M1, M2)
0163F00017	BECKETT BURNER (QTY 2)
0271F00463	BLOWER HOUSING ASSY (M7, M8, M11, M12)
0271F00462	BLOWER HOUSING ASSY (M3, M4, M5, M6)
0271F00323	BLOWER HSG ASSY (M1, M2)
PCBBF163	CIRCUIT BOARD, FURNACE (M1, M3, M5, M7, M9, M11, M13, M15)
0130F00010	FLAME SENSOR
0151M00037	GAS VALVE
0257F00283	HEAT EXCHANGER ASSY (M3, M4)
0257F00281	HEAT EXCHANGER ASSY (M11, M12, M13, M14)
0257F00211	HEAT EXCHANGER ASSY (M5, M6)
0257F00296	HEAT EXCHANGER ASSY (M7, M8, M9, M10)
0257F00286	HEAT EXCHANGER ASSY (M15, M16)
0130F00008	IGNITOR-SINI 17 SEC
0130M00243	INTERLOCK SWITCH
20162907	LIMIT, PRIMARY (M13, M14)
20162906	LIMIT, PRIMARY (M5, M6)
20162904	LIMIT, PRIMARY (M15, M16)
20162903	LIMIT, PRIMARY (M1, M2, M9, M10, M11, M12)
0130F00038	LIMIT, PRIMARY, 120, LT BLUE (QTY 2)
0130F00036	LIMIT, PRIMARY, 180, PINK (M3, M4, M7, M8)
0130F00123	LIMIT, RESET MAN (M3, M4)
10123538	LIMIT-MAN-TAN (M1, M2)
10123529	LIMIT-RESET MAN-GREEN (M15, M16)
10123539	LIMIT-RESET MAN-ORANGE (M5, M6, M9, M10, M11, M12, M13, M14)
10123534	LIMIT-RESET MAN-ORANGE (M7, M8)
0131F00114M	MOTOR, BLOWER 1 H.P W/O CONTROLLER (M9, M10, M13, M14, M15, M16)
0131F00112M	MOTOR, BLOWER 1/2 H.P W/O CONTROLLER (M1, M2, M3, M4, M5, M6)
0131F00113M	MOTOR, BLOWER 3/4 H.P W/O CONTROLLER (M7, M8, M11, M12)
0171M00008	MOTOR, ID BLOWER (M1, M2)
0131F00267	MOTOR, PROGRAM (M13, M14)
0131F00266	MOTOR, PROGRAM (M11, M12)
0131F00265	MOTOR, PROGRAM (M9, M10)
0131F00264	MOTOR, PROGRAM (M7, M8)
0131F00263	MOTOR, PROGRAM (M5, M6)
0131F00262	MOTOR, PROGRAM (M3, M4)
0131F00261	MOTOR, PROGRAM (M1, M2)
0131F00268	MOTOR, PROGRAM (M15, M16)
0171M00001	MOTOR-ID, BLOWER (M3, M4, M5, M6, M7, M8, M9, M10, M11, M12, M13, M14, M15, M16)
0130F00641	PRESSURE SWITCH (M1, M2)
0130F00442	SWITCH, PRESSURE (M3, M4, M7, M8, M9, M10, M15, M16)
0130F00441	SWITCH, PRESSURE (M5, M6, M11, M12, M13, M14)
0130M00140	TRANSFORMER 120V TO 24V, 40VA
0150M00042	WHEEL, BLOWER (10 X 10) (M7, M8, M11, M12)
0150M00043	WHEEL, BLOWER (10 X 8) (M3, M4, M5, M6)
0150M00061	WHEEL,BLOWER (M1, M2)

## SPECIAL PARTS

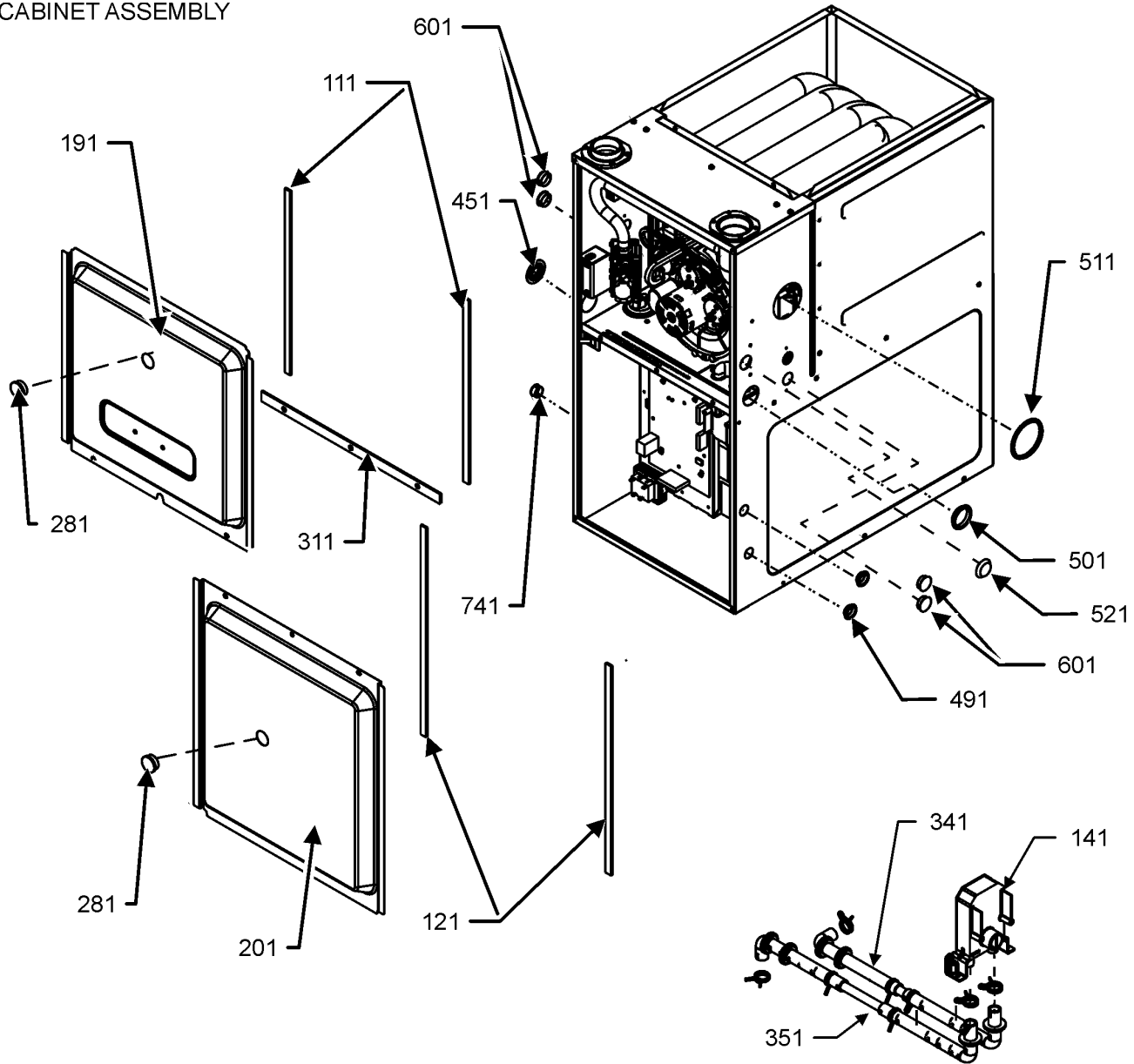
0161F00086 NAMEPLATE, GOODMAN

## Expanded Model Nomenclature

M1 - GM9S920403ANAA
M2 - GM9S920403ANAB
M3 - GM9S920603BNAA
M4 - GM9S920603BNAB
M5 - GM9S920803BNAA
M6 - GM9S920803BNAB
M7 - GM9S920804CNAA
M8 - GM9S920804CNAB
M9 - GM9S920805CNAA
M10 - GM9S920805CNAB
M11 - GM9S921004CNAA
M12 - GM9S921004CNAB
M13 - GM9S921005CNAA
M14 - GM9S921005CNAB
M15 - GM9S921205DNAA
M16 - GM9S921205DNAB

# Cabinet Assembly

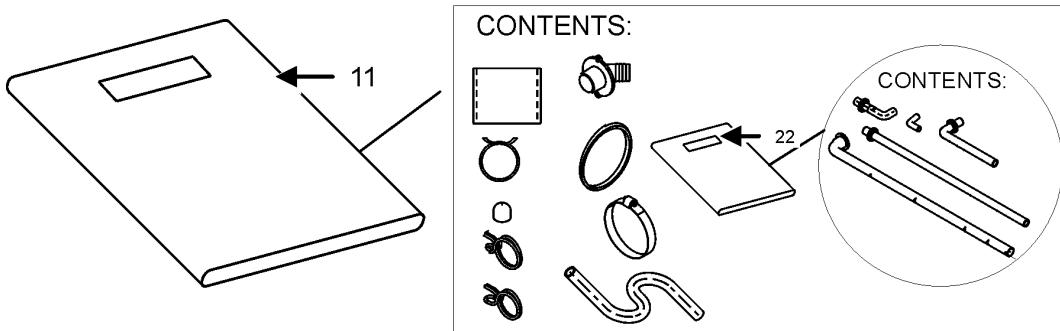
## CABINET ASSEMBLY



CABINET ASSEMBLY MAY DIFFER FROM WHAT IS SHOWN

DRAIN TRAP ASSEMBLY

## DRAIN KIT ASSEMBLY

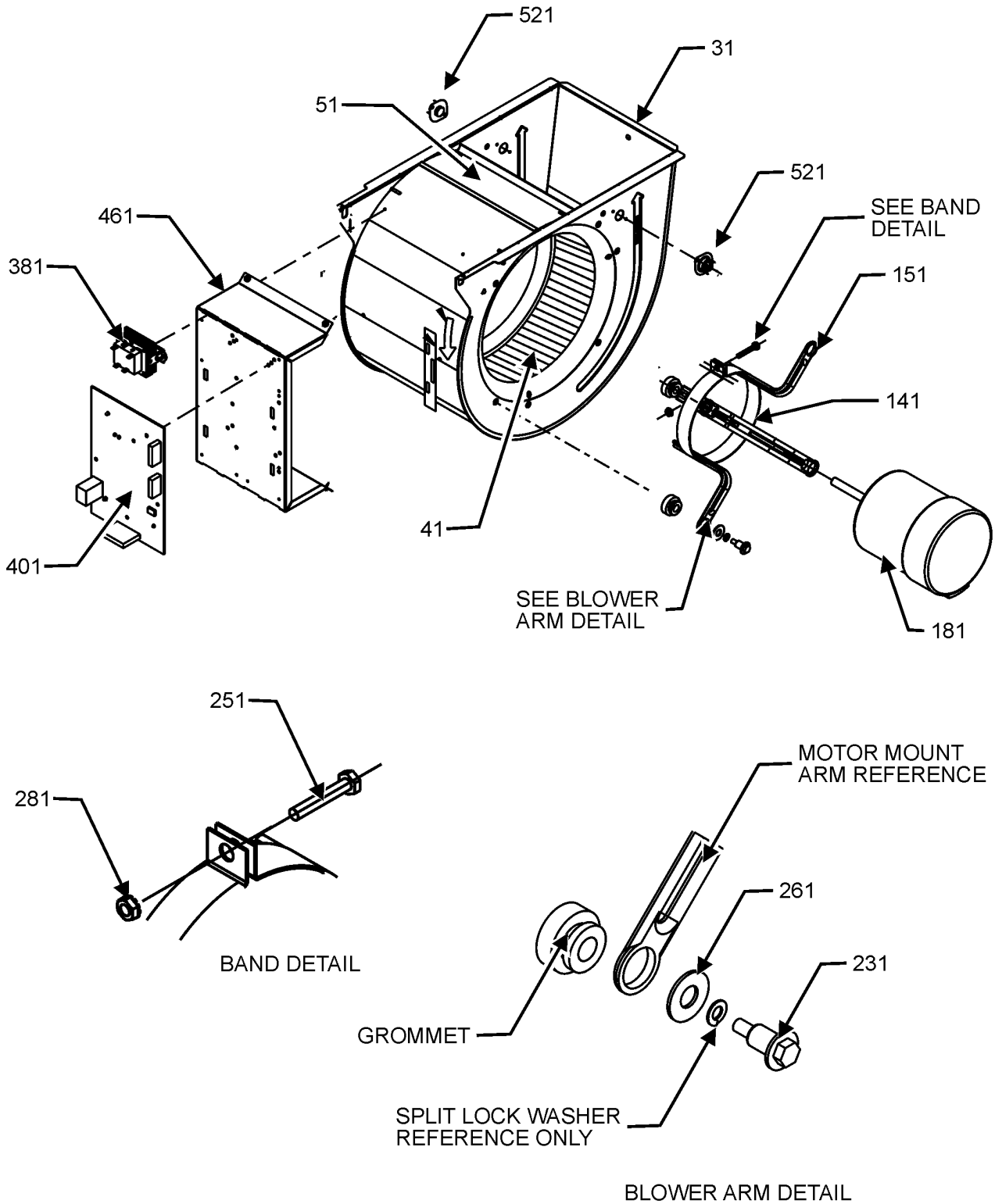


# Cabinet Assembly

Ref. Part No:	Ref. Part No:	Description:	Description:
<b>Image 1:</b>		<b>Expanded Model Nomenclature</b>	
11	0270F05402	DRAIN KIT ASSY	M1 - GM9S920403ANAA
21	0270F05402	DRAIN KIT ASSY	M2 - GM9S920403ANAB
111	0154F00024	GASKET (QTY 2)	M3 - GM9S920603BNAA
121	0154F00025	GASKET (QTY 2)	M4 - GM9S920603BNAB
141	0161F00046	DRAIN TRAP	M5 - GM9S920803BNAA
191	0121F00291DG	DOOR, ACCESS 17.5 PNT (M3, M4, M5, M6)	M6 - GM9S920803BNAB
191	0121F00292DG	DOOR, ACCESS 21 PNT (M7, M8, M9, M10, M11, M12, M13, M14)	M7 - GM9S920804CNAA
191	0121F00293DG	DOOR, ACCESS 24.5 PNT (M15, M16)	M8 - GM9S920804CNAB
191	0121F00674DG	PNT, DOOR, ACCESS 14" (M1, M2)	M9 - GM9S920805CNAA
201	0121F00288DG	DOOR, BLOWER 17.5 PNT (M3, M4, M5, M6)	M10 - GM9S920805CNAB
201	0121F00289DG	DOOR, BLOWER 21 PNT (M7, M8, M9, M10, M11, M12, M13, M14)	M11 - GM9S921004CNAA
201	0121F00290DG	DOOR, BLOWER 24.5 PNT (M15, M16)	M12 - GM9S921004CNAB
201	0121F00672DG	PNT, DOOR, BLOWER 14" (M1, M2)	M13 - GM9S921005CNAA
281	B1392139	VIEW PORT BUSHING-BLOWER DOOR (QTY 2)	M14 - GM9S921005CNAB
311	0154F00020	GASKET, DECK (M3, M4, M5, M6)	M15 - GM9S921205DNAA
311	0154F00021	GASKET, DECK (M7, M8, M9, M10, M11, M12, M13, M14)	M16 - GM9S921205DNAB
311	0154F00022	GASKET, DECK (M15, M16)	
311	0154F00063	GASKET, DECK (M1, M2)	
341	0164F00017	HOSE-ELBOW/TRAP	
351	0164F00020	DRAIN HOSE (M1, M2)	
351	0164F00006	HOSE, COVER/TRAP (M15, M16)	
351	0164F00024	HOSE, COVER/TRAP (M3, M4, M5, M6, M7, M8, M9, M10, M11, M12, M13, M14)	
451	M0501301	PIPE GROMMET	
491	M0570808	BUTTON PLUG (QTY 3)	
501	M0570806	BUTTON PLUG	
511	M0570807	BUTTON PLUG	
521	0161M00027	PLUG, HOLE (M1, M2, M3, M4, M5, M6, M11, M12, M13, M14)	
601	B1392021	PLASTIC PLUG, 1" (2713-BLK) (QTY 4)	
741	B1392104	UNIVERSAL BUSHING UB 875	
NS	M0310345	BUTTON PLUG (QTY 2)	
NS	0163M00319	HEX NUT-INSERT (QTY 3)	
NS	0161F00086	NAMEPLATE, GOODMAN	
NS	M0273904	RETAINER-SCREW (QTY 3)	
NS	M0209730	SCREW-DECORATIVE (QTY 3)	

# Blower Assembly

## BLOWER ASSEMBLY



BLOWER ASSEMBLY MAY DIFFER FROM WHAT IS SHOWN

# Blower Assembly

**Ref. Part  
No: No:**

**Description:**

**Ref. Part  
No: No:**

**Description:**

**Image 1:**

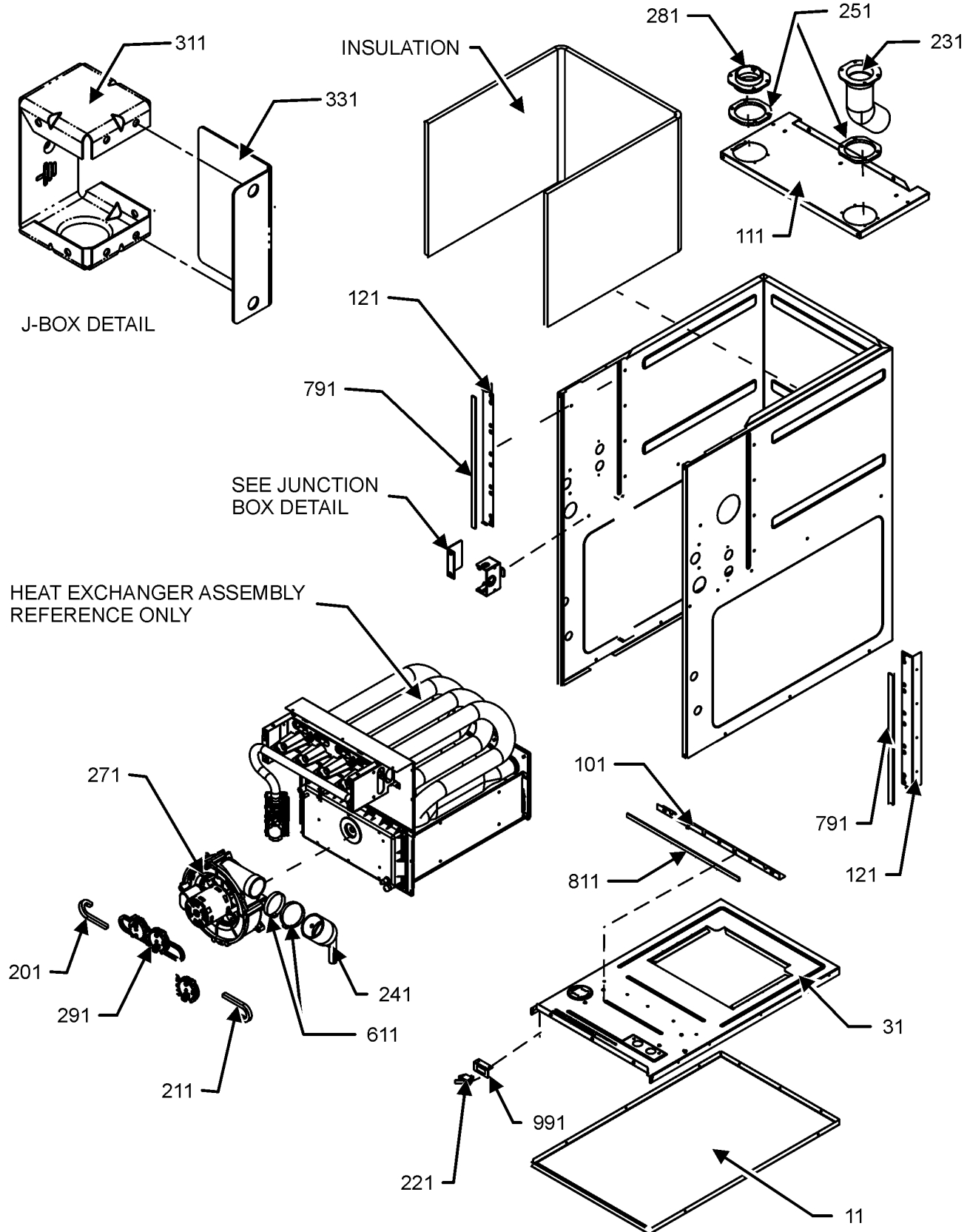
31	0271F00462	BLOWER HOUSING ASSY (M3, M4, M5, M6)
31	0271F00463	BLOWER HOUSING ASSY (M7, M8, M11, M12)
31	0271F00323	BLOWER HSG ASSY (M1, M2)
31	0271F00507	MORRISON 11 X 10 BLOWER (M9, M10, M13, M14)
31	0271F00508	MORRISON 11 X 11 BLOWER (M15, M16)
41	0150M00042	WHEEL, BLOWER (10 X 10) (M7, M8, M11, M12)
41	0150M00043	WHEEL, BLOWER (10 X 8) (M3, M4, M5, M6)
41	0150M00061	WHEEL, BLOWER (M1, M2)
51	764741	BLWR BLK-OFF, 10X10 (M7, M8, M11, M12)
51	764739	BLWR BLK-OFF, 10X6 (M1, M2)
51	764740	BLWR BLK-OFF, 10X8 (M3, M4, M5, M6)
141	0121M00039	MOUNT BAND, MOTOR (HEAVY DUTY)
151	0163M00538	MOUNT ARM, MOTOR (QTY 3)
181	0131F00114M	MOTOR, BLOWER 1 H.P W/O CONTROLLER (M9, M10, M13, M14, M15, M16)
181	0131F00112M	MOTOR, BLOWER 1/2 H.P W/O CONTROLLER (M1, M2, M3, M4, M5, M6)
181	0131F00113M	MOTOR, BLOWER 3/4 H.P W/O CONTROLLER (M7, M8, M11, M12)
181	0131F00261	MOTOR, PROGRAM (M1, M2)
181	0131F00262	MOTOR, PROGRAM (M3, M4)
181	0131F00263	MOTOR, PROGRAM (M5, M6)
181	0131F00264	MOTOR, PROGRAM (M7, M8)
181	0131F00265	MOTOR, PROGRAM (M9, M10)
181	0131F00266	MOTOR, PROGRAM (M11, M12)
181	0131F00267	MOTOR, PROGRAM (M13, M14)
181	0131F00268	MOTOR, PROGRAM (M15, M16)
231	M0250565	TC SCREW 1.25" (QTY 3)
251	0163M00320	HEX HEAD ALL THREAD TAP BOLT
261	B1392918	WASHER, FLAT 1/4 ID X 1 OD (QTY 3)
281	B1393800	LOCKNUT, NYLON, INSERT 1/4, 20
381	0130M00140	TRANSFORMER 120V TO 24V, 40VA
401	PCBBF166	1 STAGE IFC (M2, M4, M6, M8, M10, M12, M14, M16)
401	PCBBF163	CIRCUIT BOARD, FURNACE (M1, M3, M5, M7, M9, M11, M13, M15)
461	0121F00464	MOUNTING PLATE-CONTROLS
521	0130F00038	LIMIT, PRIMARY, 120, LT BLUE (QTY 2)
NS	0159F00160	CTM, MOTOR HARNESS
NS	M0282015	KEPS NUT (M9, M10, M13, M14, M15, M16)
NS	M0267144	MACHINE SCREW (M9, M10, M13, M14, M15, M16)
NS	B1392021	PLASTIC PLUG, 1" (2713-BLK) (QTY 4)
NS	B1392820	WASHER, SPLIT LOCK 1/4 BZ (M9, M10, M13, M14, M15, M16)
NS	0259F00024	WIRE HARNESS-BLOWER

**Expanded Model Nomenclature**

M1 - GM9S920403ANAA
M2 - GM9S920403ANAB
M3 - GM9S920603BNAA
M4 - GM9S920603BNAB
M5 - GM9S920803BNAA
M6 - GM9S920803BNAB
M7 - GM9S920804CNAA
M8 - GM9S920804CNAB
M9 - GM9S920805CNAA
M10 - GM9S920805CNAB
M11 - GM9S921004CNAA
M12 - GM9S921004CNAB
M13 - GM9S921005CNAA
M14 - GM9S921005CNAB
M15 - GM9S921205DNAA
M16 - GM9S921205DNAB

# Chassis Assembly

## CHASSIS ASSEMBLY



CHASSIS ASSEMBLY MAY DIFFER FROM WHAT IS SHOWN

# Chassis Assembly

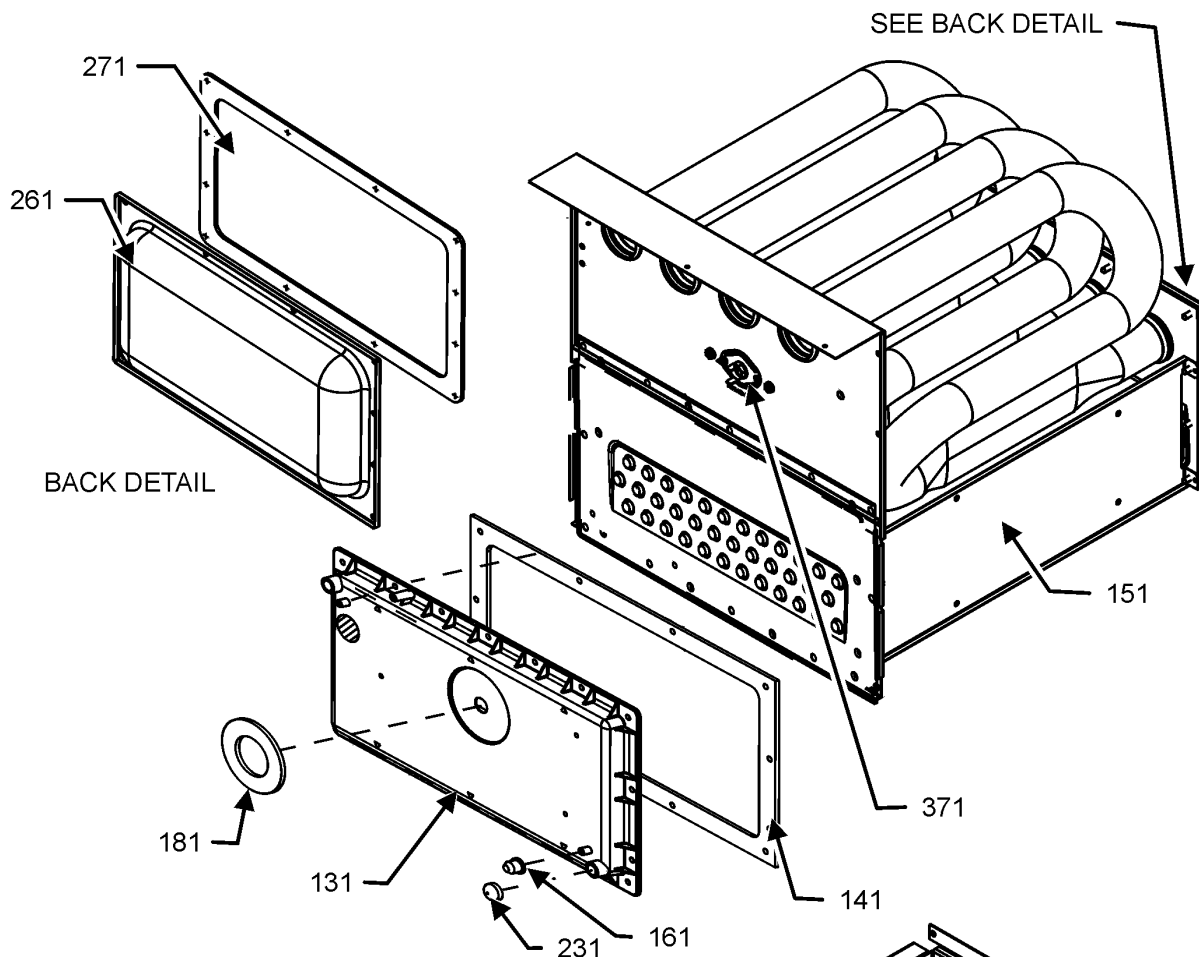
Ref. Part No:	Ref. Part No:	Description:	Description:
<b>Image 1:</b>		<b>Image 1:</b>	
11	0121F00530DG	BASEPAN, 17.5 (M3, M4, M5, M6)	NS 0159F00142 WIRE HARNESS (M1, M2)
11	0121F00531DG	BASEPAN, 21 PNT (M7, M8, M9, M10, M11, M12, M13, M14)	NS 0159F00143 WIRE HARNESS (M3, M4, M5, M6, M7, M8, M9, M10, M11, M12, M13, M14, M15, M16)
11	0121F00532DG	BASEPAN, 24.5 PNT (M15, M16)	
11	0121F00664DG	BASEPAN, 14 PNT (M1, M2)	
31	0121F00766	DECK- BLOWER 17.5" (M3, M4, M5, M6)	
31	0121F00767	DECK- BLOWER 21" (M7, M8, M9, M10, M11, M12, M13, M14)	
31	0121F00768	DECK- BLOWER 24.5" (M15, M16)	
31	0121F00663	DECK, BLOWER 14" (M1, M2)	
101	0121F00314	ANGLE, DECK (M3, M4, M5, M6)	
101	0121F00315	ANGLE, DECK (M7, M8, M9, M10, M11, M12, M13, M14)	
101	0121F00316	ANGLE, DECK (M15, M16)	
101	0121F00661	ANGLE, DECK (M1, M2)	
111	0121F00279DG	PAINTED TOP, FURNACE 17.5 (M3, M4, M5, M6)	
111	0121F00280DG	PAINTED TOP, FURNACE 21 (M7, M8, M9, M10, M11, M12, M13, M14)	
111	0121F00281DG	PAINTED TOP, FURNACE 24.5 (M15, M16)	
111	0121F00662DG	PNT, FURNACE TOP 14" (M1, M2)	
121	0121F00313	ANGLE, SIDE (QTY 2)	
201	0164M00118	HOSE- PRESSURE SW 10" (M1, M2)	
201	0164M00117	HOSE- PRESSURE SW 8" (M3, M4, M5, M6, M7, M8, M9, M10, M11, M12, M13, M14, M15, M16)	
211	0164M00119	HOSE- PRESSURE SW 12"	
221	0130M00243	INTERLOCK SWITCH	
231	0164F00002	FLUE PIPE W/BEND	
241	0164F00025	ELBOW-FLUE, UPFLOW	
251	0154F00041	FRESH AIR GASKET (QTY 2)	
271	0171M00008	MOTOR, ID BLOWER (M1, M2)	
271	0171M00001	MOTOR-ID, BLOWER (M3, M4, M5, M6, M7, M8, M9, M10, M11, M12, M13, M14, M15, M16)	
281	0161F00037	COUPLING	
291	0130F00641	PRESSURE SWITCH (M1, M2)	
291	0130F00441	SWITCH, PRESSURE (M5, M6, M11, M12, M13, M14)	
291	0130F00442	SWITCH, PRESSURE (M3, M4, M7, M8, M9, M10, M15, M16)	
311	0161F00042	JUNCTION BOX PLA	
331	0161F00043	JUNCTION BOX LID	
611	0163M00460	CLAMP-HOSE (QTY 2)	
791	0154F00015	GASKET (QTY 2)	
811	0154F00014	GASKET (M3, M4, M5, M6)	
811	0154F00016	GASKET (M7, M8, M9, M10, M11, M12, M13, M14)	
811	0154F00064	GASKET (M1, M2)	
811	20194607	GASKET (M15, M16)	
991	0121F00389	BRACKET, DOOR SWITCH	
NS	0154F00041	FRESH AIR GASKET (QTY 2)	
NS	0160F00025	INSULATION, HT EXCHANGER (M1, M2)	
NS	0160F00015	INSULATION, HT EXCHANGER 17.5" (M3, M4, M5, M6)	
NS	0160F00016	INSULATION, HT EXCHANGER 21" (M7, M8, M9, M10, M11, M12, M13, M14)	
NS	0160F00017	INSULATION, HT EXCHANGER 24.5" (M15, M16)	
NS	M0326804	PLUG-TUBE	

### Expanded Model Nomenclature

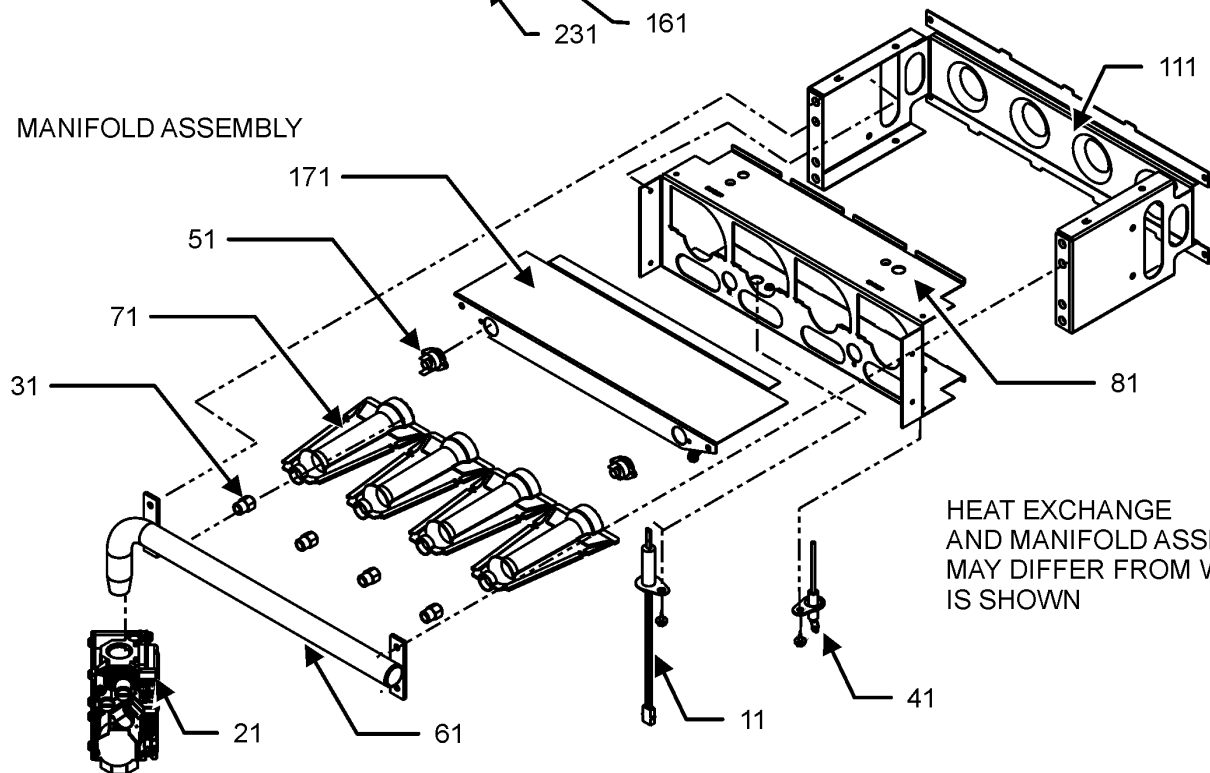
M1 - GM9S920403ANAA
M2 - GM9S920403ANAB
M3 - GM9S920603BNAA
M4 - GM9S920603BNAB
M5 - GM9S920803BNAA
M6 - GM9S920803BNAB
M7 - GM9S920804CNAA
M8 - GM9S920804CNAB
M9 - GM9S920805CNAA
M10 - GM9S920805CNAB
M11 - GM9S921004CNAA
M12 - GM9S921004CNAB
M13 - GM9S921005CNAA
M14 - GM9S921005CNAB
M15 - GM9S921205DNAA
M16 - GM9S921205DNAB

# Heat Exchange and Manifold Assembly

## HEAT EXCHANGE ASSEMBLY



## MANIFOLD ASSEMBLY



# Heat Exchange and Manifold Assembly

Ref. Part No:	Ref. Part No:	Description:	Description:
<b>Image 1:</b>		<b>Image 1:</b>	
11	0130F00008	IGNITOR-SINI 17 SEC	261 0121F00318 COVER, REAR (M7, M8, M9, M10, M11, M12, M13, M14)
21	0151M00037	GAS VALVE	261 0121F00319 COVER, REAR (M15, M16)
31	10716005	ORIFICE (QTY 2)	261 0121F00670 COVER, REAR (M1, M2)
41	0130F00010	FLAME SENSOR	271 0154F00058 GASKET REAR CVR (M1, M2)
51	0130F00123	LIMIT, RESET MAN (M3, M4)	271 0154F00037 GASKET, REAR CVR (M3, M4, M5, M6)
51	10123538	LIMIT-MAN-TAN (M1, M2)	271 0154F00038 GASKET, REAR CVR (M7, M8, M9, M10, M11, M12, M13, M14)
51	10123529	LIMIT-RESET MAN-GREEN (M15, M16)	271 0154F00039 GASKET, REAR CVR (M15, M16)
51	10123534	LIMIT-RESET MAN-ORANGE (M7, M8)	371 20162903 LIMIT, PRIMARY (M1, M2, M9, M10, M11, M12)
51	10123539	LIMIT-RESET MAN-ORANGE (M5, M6, M9, M10, M11, M12, M13, M14)	371 20162904 LIMIT, PRIMARY (M15, M16)
61	0163F00007	MANIFOLD (M1, M2)	371 20162906 LIMIT, PRIMARY (M5, M6)
61	0163F00008	MANIFOLD (M3, M4)	371 20162907 LIMIT, PRIMARY (M13, M14)
61	0163F00009	MANIFOLD (M7, M8, M9, M10)	371 0130F00036 LIMIT, PRIMARY, 180, PINK (M3, M4, M7, M8)
61	0163F00010	MANIFOLD (M11, M12, M13, M14)	NS 0121F00582 INSULATION, RETAINER (M1, M2)
61	0163F00011	MANIFOLD (M15, M16)	NS 0121F00583 INSULATION, RETAINER (M3, M4, M5, M6)
61	0163F00014	MANIFOLD (M5, M6)	NS 0121F00584 INSULATION, RETAINER (M7, M8, M9, M10, M11, M12, M13, M14)
71	0163F00017	BECKETT BURNER (QTY 2)	NS 0121F00585 INSULATION, RETAINER (M15, M16)
81	0121F00456	BRACKET-BURNER 2 (M1, M2)	NS 0121F00439 PRIMARY LIMIT-HEAT SHIELD
81	0121F00455	BRACKET-BURNER 3 (M3, M4)	NS 0121F00355 SHIELD, COIL (QTY 2)
81	0121F00454	BRACKET-BURNER 4 (M5, M6, M7, M8, M9, M10)	
81	0121F00453	BRACKET-BURNER 5 (M11, M12, M13, M14)	
81	0121F00451	BRACKET-BURNER 6 (M15, M16)	
111	0121F00469	ORIFICE BRACKET-BURNER 2 (M1, M2)	
111	0121F00468	ORIFICE BRACKET-BURNER 3 (M3, M4)	
111	0121F00467	ORIFICE BRACKET-BURNER 4 (M5, M6, M7, M8, M9, M10)	
111	0121F00466	ORIFICE BRACKET-BURNER 5 (M11, M12, M13, M14)	
111	0121F00465	ORIFICE BRACKET-BURNER 6 (M15, M16)	
131	0161F00016	COVER, FRONT (M5, M6)	
131	0161F00018	COVER, FRONT (M7, M8, M9, M10)	
131	0161F00027	COVER, FRONT (M11, M12, M13, M14)	
131	0161F00028	COVER, FRONT (M15, M16)	
131	0161F00031	COVER, FRONT (M3, M4)	
131	0161F00076	COVER, FRONT (M1, M2)	
141	0154F00026	GASKET FRONT COVER (M3, M4, M5, M6)	
141	0154F00030	GASKET FRONT COVER (M7, M8, M9, M10, M11, M12, M13, M14)	
141	0154F00034	GASKET FRONT COVER (M15, M16)	
141	0154F00062	GASKET FRONT COVER (M1, M2)	
151	0257F00449	ASSY, HEAT EXCHANGER (M1, M2)	
151	0257F00211	HEAT EXCHANGER ASSY (M5, M6)	
151	0257F00281	HEAT EXCHANGER ASSY (M11, M12, M13, M14)	
151	0257F00283	HEAT EXCHANGER ASSY (M3, M4)	
151	0257F00286	HEAT EXCHANGER ASSY (M15, M16)	
151	0257F00296	HEAT EXCHANGER ASSY (M7, M8, M9, M10)	
161	M0326804	TUBE PLUG	
171	0121F00540	SHEILD, BURNER (M3, M4)	
171	0121F00541	SHEILD, BURNER (M5, M6, M7, M8, M9, M10)	
171	0121F00542	SHEILD, BURNER (M11, M12, M13, M14)	
171	0121F00543	SHEILD, BURNER (M15, M16)	
171	0121F00755	SHIELD, BURNER (M1, M2)	
181	0154F00043	GASKET ID BLOWER	
231	A1781105	CAP-VINYL .500	
261	0121F00317	COVER, REAR (M3, M4, M5, M6)	

## Expanded Model Nomenclature

- M1 - GM9S920403ANAA
- M2 - GM9S920403ANAB
- M3 - GM9S920603BNAA
- M4 - GM9S920603BNAB
- M5 - GM9S920803BNAA
- M6 - GM9S920803BNAB
- M7 - GM9S920804CNAA
- M8 - GM9S920804CNAB
- M9 - GM9S920805CNAA
- M10 - GM9S920805CNAB
- M11 - GM9S921004CNAA
- M12 - GM9S921004CNAB
- M13 - GM9S921005CNAA
- M14 - GM9S921005CNAB
- M15 - GM9S921205DNAA
- M16 - GM9S921205DNAB